

safe · timeless · beautiful



## *markilux 3300 / 3300 pur*

The full cassette awning with a tight fit to the wall.  
The alternative model with smooth front profile.



## *markilux 3300 / 3300 pur*

The cassette awning with wall seal.  
The alternative with smooth front profile.

- design features**
- The sturdy compact cassette with the perfect seal to the wall.
  - Elegant and robust front profile made of aluminium with valance slot.
  - Self-supporting cassette made of extruded components
  - for long-lasting attractiveness the awning has been powder coated.
  - awning covers made from acrylic yarns or sunsilk SNC with self-cleaning effect.

- technical highlights**
- The front profile with integrated double gutter ensures that water flows off to the side of the awning whether open or closed.
  - When closed the folding arms are protected from the weather by the cassette.
  - The 85 mm roller tube ensures the highest rigidity and the best possible cover winding characteristics even at the largest widths.
  - The extremely sturdy awning construction makes it possible to shade even very large areas safely.
  - Awnings more than 700 cm in width are available as coupled units.

- optional accessories**
- In the case of manual operation ease of use is ensured with the spring-assisted gearbox.
  - Hard-wired motor drive (optionally with automatic controls) for simple, relaxed operation.
  - Radio-controlled motor with handheld transmitter for ease of operation - and ergonomically crafted for ease of use.
  - Awning available in non-standard RAL colours
  - An easily connected radio-controlled sun and wind sensor guarantees comfort and protection even during your absence.

- The panel joints of the awning cover are ultrasonically bonded to give a better appearance without bothersome stitching
- Manual operation includes a markilux stainless steel winding handle - quality to get to grips with
- Folding arms with perfected power transference by means of double, rounded steel-link chains and direct coupling of the springs. The highest safety standards even at large extensions
- Folding arms with drop-forged joint components made of aluminium. The pivot bolts sit in Teflon-coated bronze bushes for high stability and longevity
- The greater upper to lower arm length ratio ensures high lateral stability in the awning
- The tilt device with windlock mechanism ensures that the front profile closes perfectly
- Simply pitch adjustment via the bracket without necessitating readjustment of the front profile
- At larger widths one or more rolltex bearings support the roller tube
- The fixture brackets are made of extruded aluminium

# Folding-arm cassette awning markilux 3300 / 3300 pur



tilt device with windlock mechanism



wall sealing profile (optional)



rolltex bearing



side view markilux 3300 pur



side view with awning closed, face fixture



side view with awning closed, top fixture



direct connection of the springs to the chains



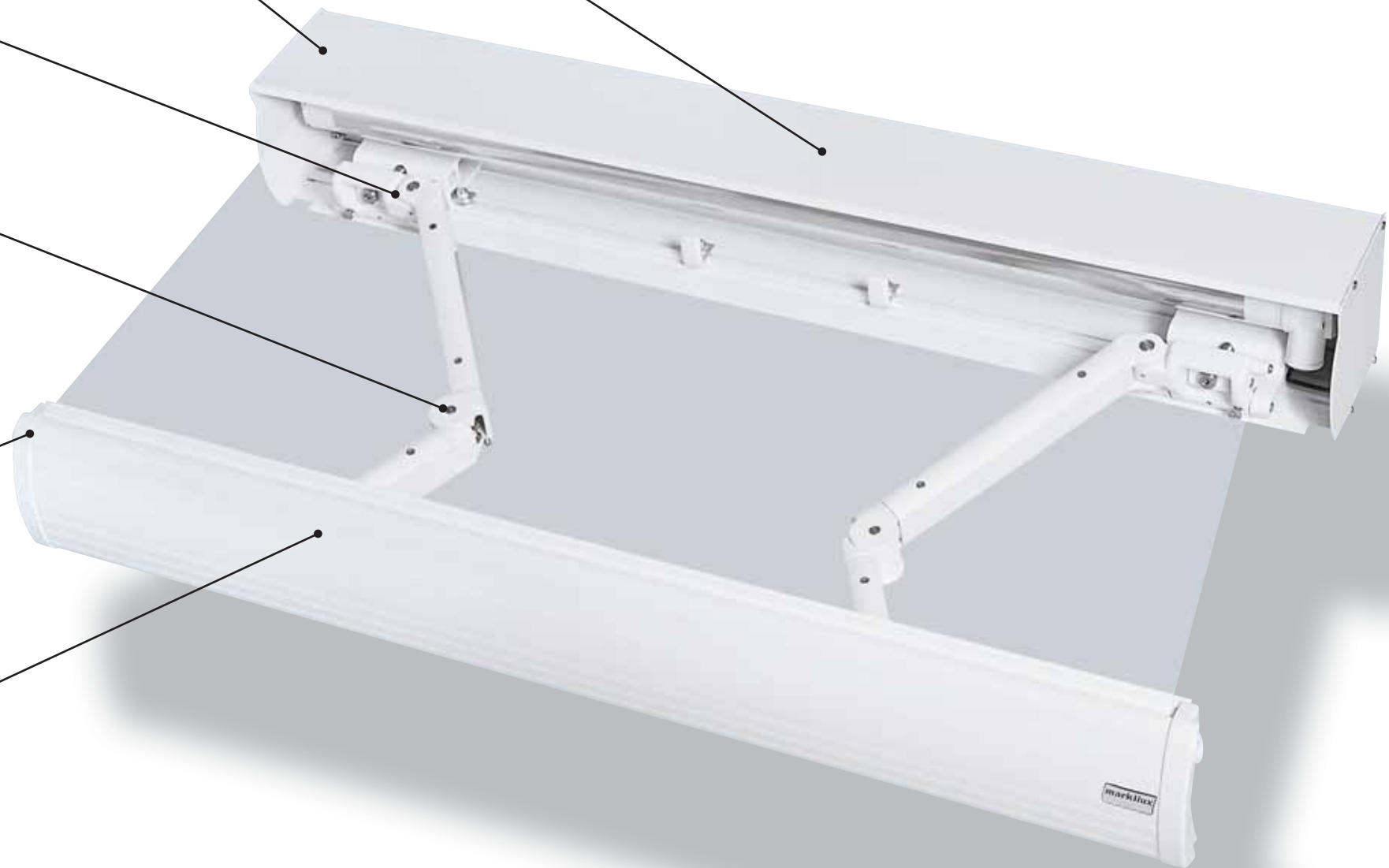
corrosion-resistant and technically proven; twin steel-link chains at the elbow joints



gutter and waterspout



arm fixture to the front profile



Standard RAL colours:

standard:

optional accessories:

safe · timeless · beautiful



## ***markilux 3300 / 3300 pur***

The full cassette awning with a tight fit to the wall.  
The alternative model with smooth front profile.





## dimensions and configuration options

extension	Overall blind width										minimum width motor <sup>10)</sup>		minimum widths manual operation <sup>10)</sup>	
	250 190-250 <sup>28)</sup>	300 251-300	350 301-350	400 351-400	450 401-450	500 451-500	550 501-550	600 551-600	650 601-650	700 <sup>20)</sup> 651-700	Standard	Bespoke arms	Standard	Bespoke arms
150	28)										203	190	203	190
200	28)										253	240	253	240
250		28)									303	290	303	290
300			28)								353	340	353	340
350				28)					20) 21)		403	390	403	390

dimensions in cm

10) the dimensions are only valid for fixture without spreader plates (2 folding arms).

20) no intermediate sizes possible below the standard width of 650 cm.

21) awnings with 3 arms are only available with motor (extra charge).

28) Please note the minimum widths!

- = available, 2 folding arms
- = available, 2 folding arms, 1 Rolltex bearing
- = available, 3 folding arms, 2 Rolltex bearing

**Definition of extension:** The extension is measured with the awning extended at a pitch of approx. 15° from the wall over the cover to the leading edge of the front profile. The extension tolerance is - 40mm / + 40mm  
In the case of manual operation, assume approx. 16 winding handle revolutions per metre of awning extension.

Extension when using a motor takes approximately 12 seconds per metre.





**coupled folding-arm awnings are available up to a max. of 3 single units side by side, however only with 6 folding-arms at most and only motorised.**

Optionally available with **junction roller**. Pattern repeat mismatches are possible in the case of junction roller covers.

except when the extension is the maximum for the width of each awning. (see also arm separation table)

**one-piece awning covers only on request.**

If coupled awnings are to be fitted into a **recess** or **reveal** the overall width of the coupled blind or awning must be at least 6 cm less than the width of the opening to allow the blind/awning to be coupled. Make a special note if the awning is to be fitted into a recess/reveal and note the reveal width separately.

frame colours		
	RAL 9016 traffic white	•
	RAL 8019 grey brown	•
	RAL 9006 metallic aluminium	•
	non-standard RAL colour	○

operation type	
manual operation with st. steel winding handle	•
Servo-assisted operation	○
radio-controlled motor	○
motor	○
Shadeplus	
manual operation	-
radio-controlled motor	-
motor	-
Lighting	
Halogen Spotlights	-
Fluorescent lighting	-
covers	
acrylic 34 (fabric series 341xx-347xx)	•
sunsilk SNC (fabric series 324xx/329xx)	•
signature (fabric series 369xx)	•
transilk FR (fabric series 319xx)	-
transolair (fabric series 339xx)	-
widely woven acrylic (fabric series 349xx)	○ <sup>1)</sup>
perla FR (fabric series 374xx/379xx)	○
Soltis 92	○ <sup>2)</sup>
PVC fabric	○ <sup>2)</sup>
miscellaneous	
Coverboard	-
Sytem coverboard	-
wall sealing profile	-
Pitch adjustment gear	-
Insertable side blind	○
sun and wind sensor	○
Valance	○
Infrared heater	○
Vibrabox / Sunis sun sensor	○
Coupled units (please refer to fixture)	
coupled unit 2 fields	○
coupled unit 3 fields	○
junction roller	○
one-piece cover (on request)	○

• = fitted as standard

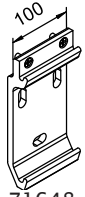
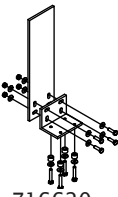
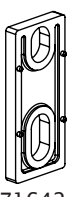
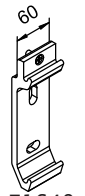
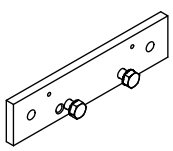
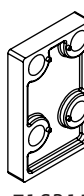
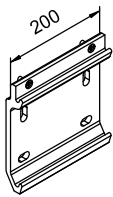
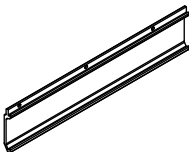
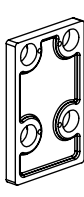
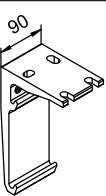
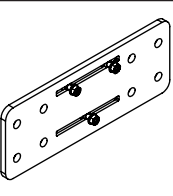
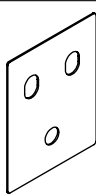
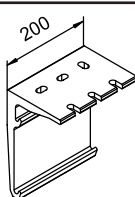
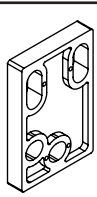
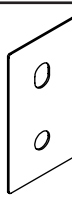
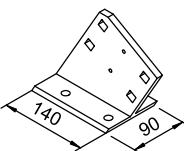
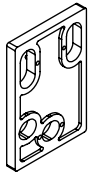
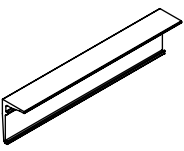
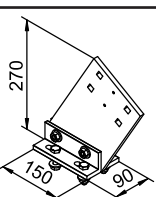
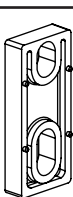
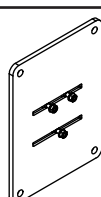
○ = optional accessory

- = not available

○<sup>1)</sup> = widely woven fabric up to a max. extension of 300 cm; not possible in those dimensions that require a rolltex bearing○<sup>2)</sup> = PVC/Soltis 92 covers available up to a max. width of 600 cm and a max. arm length of 250 cm.

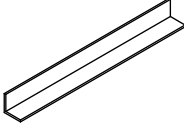
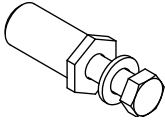
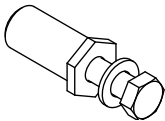
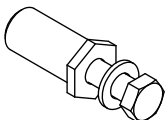
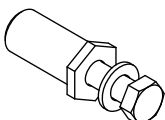
## markilux 3300/3300 pur

## fixings and accessories

 71648.	Face fixture bracket assembly 100mm	 716620	Angle and fixture plate for eaves fixture machine finish	 71642.	Spacer plate for face fixture 60x140x20mm
 71649.	Face fixture bracket assembly 60mm	 75383.	Additional eaves fixture plate 60x260x12mm	 716311	Spacer plate for top fixture 90x140x20mm N.B! stack to a max. of 200 mm
 79072.	Face fixture bracket assembly 200mm	 74340.	Face fixture bracket available by the metre, undrilled	 716411	Spacer plate for top fixture 90x140x12mm
 71651.	Top fixture bracket assembly 90mm	 75324.	Component assembly spreader plate A 160x430x12mm	 71835.	Cover plate for external insulation 140x180x2mm
 71652.	Top fixture bracket assembly 200mm	 718231	Spacer plate for face fixture 100x150x20mm N.B! stack to a max. of 200 mm	 71836.	Cover plate for external insulation 100x180x2mm
 71612.	Eaves fixture bracket 140mm	 718241	Spacer plate for face fixture 100x150x12mm	 73470.	Top fixture bracket available by the metre, undrilled
 71659.	Eaves fixture bracket assembly 270mm	 716321	Spacer plate for face fixture 60x140x12mm N.B! stack to a max. of 200 mm	 75323.	Component assembly spreader plate B 300x400x12mm

. = Please insert the RAL No. (please refer to the section on "Coatings")

## fixings and accessories

	<p>Angled profile for eaves fixtures</p> <p>100x100mm available by the metre, undrilled</p>
79380.	
	<p>reducing bolt assembly M 16 - M 12 / SW 27 50mm length</p> <p>(please refer to "Technical Information")</p>
753891	
	<p>reducing bolt assembly M 10 - M 10 / SW 27 50mm length</p> <p>(please refer to "Technical Information")</p>
754901	
	<p>reducing bolt assembly M 12 - M 10 / SW 27 50mm length</p> <p>(please refer to "Technical Information")</p>
754911	
	<p>reducing bolt assembly M 16 - M 10 / SW 27 50mm length</p> <p>(please refer to "Technical Information")</p>
754921	

. = Please insert the RAL No.  
(please refer to the section on "Coatings")

# markilux 3300/3300 pur

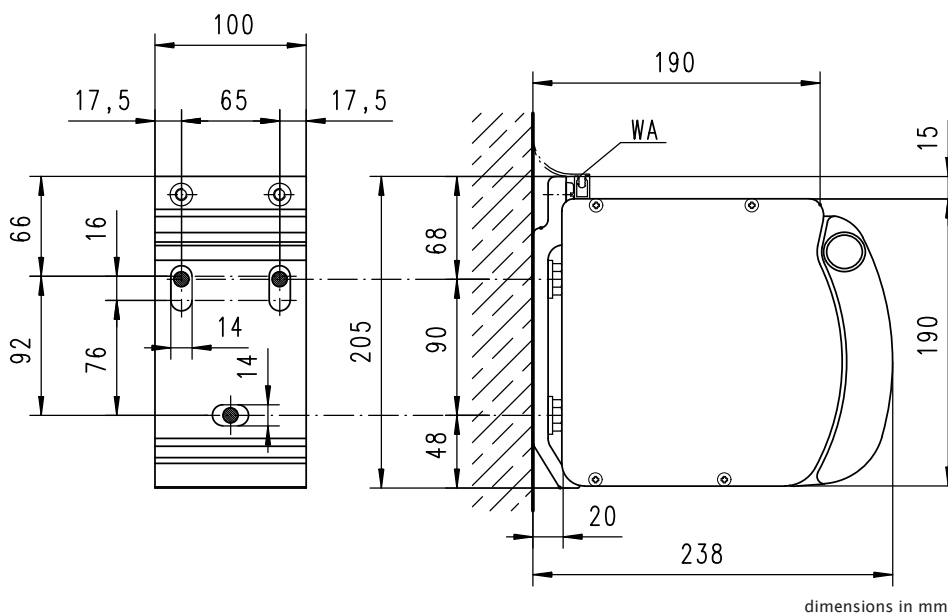
## Face fixture

Pull-out force [N=Newton] per fixture point according to EN 13561, wind resistance class 2

H [cm]	compression-proof substrate										non compression-proof substrate													
	M [cm]										M [cm]													
	250	300	350	400	450	500	550	600	650	700	250	300	350	400	450	500	550	600	650	700				
	FB [N]										FB [N]													
150	585	674	762	850	938	1026	1114	1202	1290	913	618	711	804	897	990	1083	1176	1269	1362	963				
200	906	1044	1182	1320	1457	1595	1733	1871	2009	1614	956	1102	1247	1393	1538	1684	1830	1975	2121	1704				
250	---	1541	1739	1937	2135	2333	2531	2729	3292	2852	---	1627	1836	2045	2254	2463	2672	2881	3475	3011				
300	---	---	2337	2605	2873	3141	3852	4162	4471	4000	---	---	2467	2750	3033	3316	4066	4393	4720	4222				
350	---	---	---	3367	3715	4610	5015	5420	5032	5337	---	---	---	3554	3921	4866	5294	5721	5311	5633				
HT BHT	2   100 mm			2   100 mm			2   100 mm			3   100 mm			2   100 mm			2   100 mm			3   100 mm					
	---			2   60 mm			3   60 mm			3   60 mm			---			2   60 mm			3   60 mm			3   60 mm		
BM	6			10			12			15			6			10			12			15		
HT BHT	2   200 mm									3   200 mm			2   200 mm									3   200 mm		
	---									1   60 mm			---									1   60 mm		
BM	8									14			8									14		

The pull-out force refers to the vertical centre to centre measurement between the fixture points of 90 mm. If this measurement is reduced, the pull-out force increases by 18% in the case of compression-proof substrates and by 19% in the case of non-compression-proof substrates.

- M = overall awning width
- H = extension
- FB = pull-out force per fixing point
- HT | BHT = bracket quantity | width
- BM = no. of fixing points
- WA = aluminium profile with rubber sealing strip



dimensions in mm



# Face fixture with spreader plate A

Pull-out force [N=Newton] per fixture point according to EN 13561, wind resistance class 2

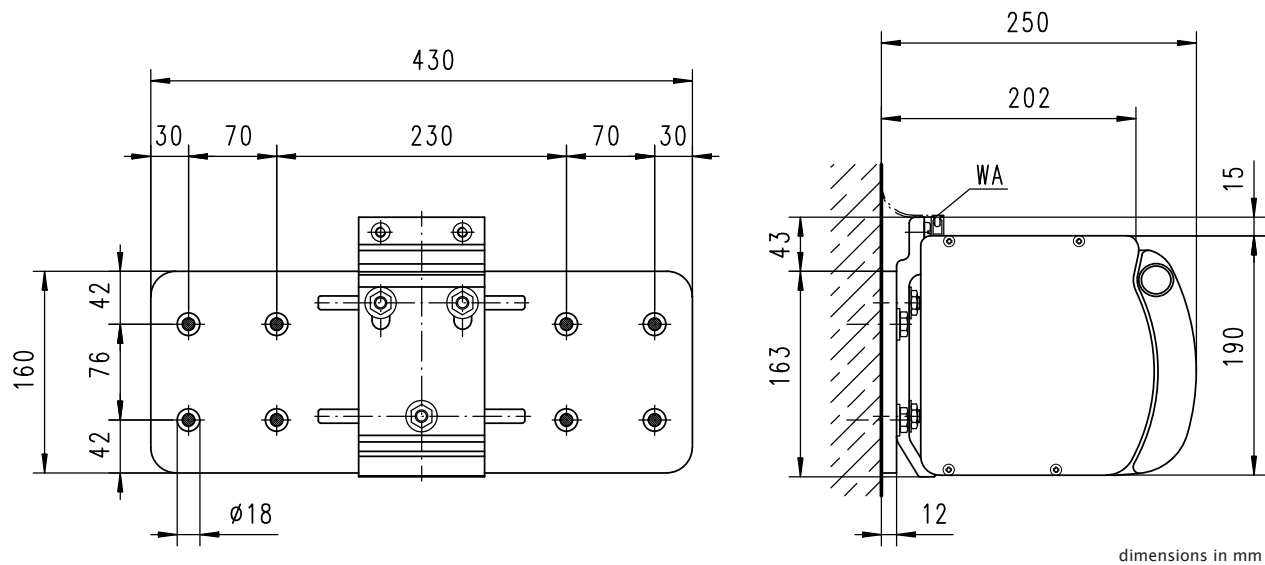
compression-proof substrate

non compression-proof substrate

H [cm]	M [cm]										M [cm]									
	250	300	350	400	450	500	550	600	650	700	250	300	350	400	450	500	550	600	650	700
150	FB [N]										FB [N]									
150	260	300	339	378	417	456	496	535	574	384	370	426	481	537	593	649	704	760	816	546
200	402	463	524	586	647	708	769	831	892	679	571	658	745	832	919	1006	1093	1180	1267	964
250	---	683	770	858	946	1034	1121	1209	1459	1198	---	970	1095	1220	1344	1469	1594	1718	2073	1702
300	---	---	1034	1153	1272	1390	1705	1842	1979	1681	---	---	1470	1638	1807	1976	2423	2618	2813	2388
350	---	---	---	1489	1643	2039	2218	2397	2108	2243	---	---	---	2116	2335	2898	3152	3407	2995	3188
HT BHT	2   100 mm				2   100 mm		2   100 mm		3   100 mm		2   100 mm				2   100 mm		2   100 mm		3   100 mm	
	---				2   60 mm		3   60 mm		3   60 mm		---				2   60 mm		3   60 mm		3   60 mm	
BP	2				2		2		3		2				2		2		3	
DP	---				2		3		3		---				2		3		3	
BM	16				20		22		30		16				20		22		30	
HT BHT																				
BP																				
DP																				
BM																				

The pull-out force refers to the vertical centre to centre measurement between the fixture points of 76 mm. In the case of spreader plates a washer conforming to DIN 9021 must be used.

- M = overall awning width
- H = extension
- FB = pull-out force per fixing point
- HT | BHT = bracket quantity | width
- BP = no. of spreader plates
- DP = no. of spacer plates
- BM = no. of fixing points
- WA = aluminium profile with rubber sealing strip



# markilux 3300/3300 pur

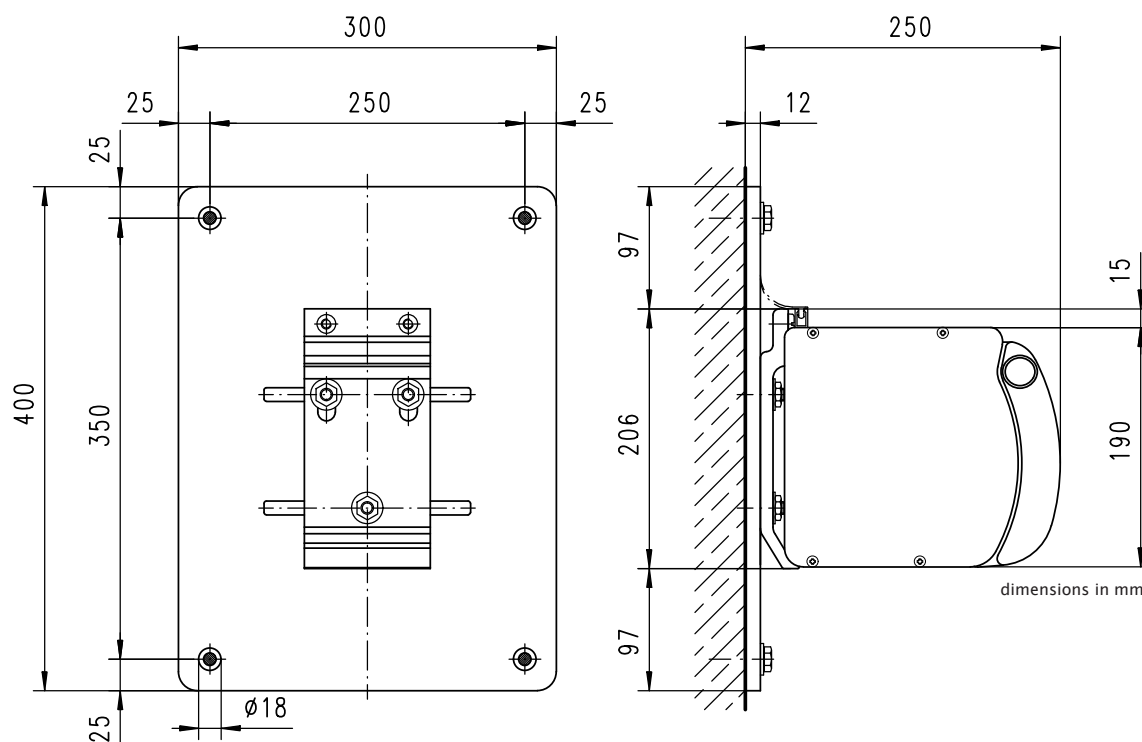
## Face fixture with spreader plate B

Pull-out force [N=Newton] per fixture point according to EN 13561, wind resistance class 2

compression-proof substrate												non compression-proof substrate												
H [cm]	M [cm]											M [cm]												
	250	300	350	400	450	500	550	600	650	700	250	300	350	400	450	500	550	600	650	700				
FB [N]												FB [N]												
150	77	89	100	112	123	135	147	158	170	114	80	92	105	117	129	141	153	165	177	118				
200	119	137	155	173	191	210	228	246	264	201	124	143	162	181	200	218	237	256	275	209				
250	---	202	228	254	280	306	332	358	432	354	---	211	238	265	292	319	346	373	450	370				
300	---	---	306	341	376	411	505	545	586	497	---	---	319	356	392	429	526	569	611	519				
350	---	---	---	440	486	603	656	709	624	664	---	---	---	459	507	629	684	740	650	692				
HT BHT	2   100mm				2   100 mm			2   100 mm		3   100 mm		2   100mm				2   100 mm			2   100 mm		3   100 mm			
	---				2   60 mm			3   60 mm		3   60 mm		---				2   60 mm			3   60 mm		3   60 mm			
BP	2				2			2		3		2				2			2		3			
DP	---				2			3		3		---				2			3		3			
BM	8				12			14		18		8				12			14		18			
HT BHT										3   100 mm												3   100 mm		
										1   60 mm												1   60 mm		
BP										3												3		
DP										1												1		
BM										14												14		

The pull-out force refers to the vertical centre to centre measurement between the fixture points of 350 mm. In the case of spreader plates a washer conforming to DIN 9021 must be used.

M = overall awning width  
 H = extension  
 FB = pull-out force per fixing point  
 HT | BHT = bracket quantity | width  
 BP = no. of spreader plates  
 DP = no. of spacer plates  
 BM = no. of fixing points



markilux 3300/3300 pur

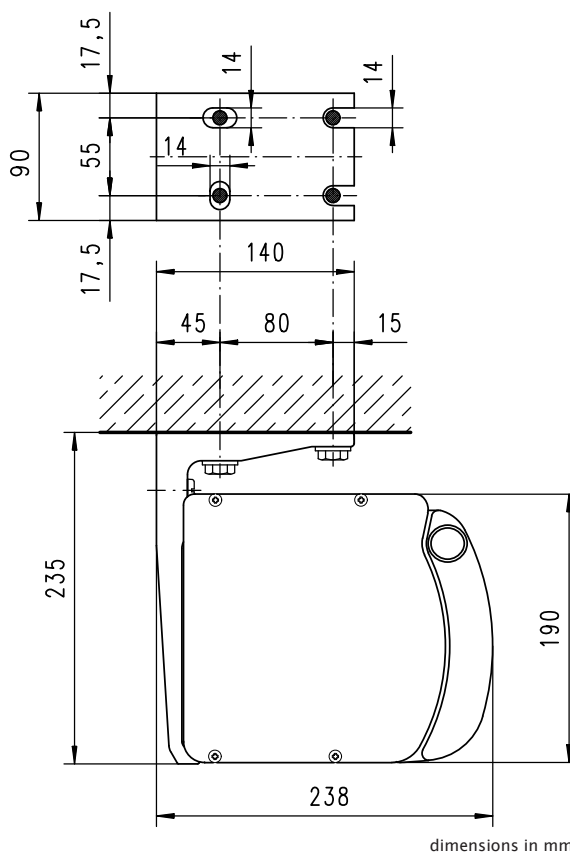
# Top fixture

Pull-out force [N=Newton] per fixture point according to EN 13561, wind resistance class 2

H [cm]	compression-proof substrate										non compression-proof substrate													
	M [cm]										M [cm]													
	250	300	350	400	450	500	550	600	650	700	250	300	350	400	450	500	550	600	650	700				
FB [N]	FB [N]										FB [N]													
150	545	631	716	801	887	972	1058	1143	1228	928	757	874	991	1108	1226	1343	1460	1577	1694	1258				
200	810	936	1063	1189	1316	1442	1569	1695	1822	1508	1137	1313	1490	1666	1842	2019	2195	2371	2548	2091				
250	---	1347	1523	1699	1875	2051	2227	2404	2881	2530	---	1904	2151	2399	2647	2894	3142	3389	4070	3561				
300	---	---	2017	2251	2485	2719	3319	3587	3855	3478	---	---	2861	3192	3523	3854	4711	5091	5471	4924				
350	---	---	---	2880	3180	3932	4279	4626	4318	4582	---	---	---	4096	4522	5598	6091	6585	6136	6510				
HT BHT	2   90 mm			4   90 mm			5   90 mm			6   90 mm			2   90 mm			4   90 mm			5   90 mm			6   90 mm		
BM	8			16			20			24			8			16			20			24		
HT BHT	2   200 mm			---			3   200 mm			2   200 mm			---			3   200 mm			1   90mm			22		
BM	12			---			22			12			---			22			---			22		

The pull-out force refers to the horizontal centre to centre measurement between the fixture points of 80 mm.

M = overall awning width  
 H = extension  
 FB = pull-out force per fixing point  
 HT | BHT = bracket quantity | width  
 BM = no. of fixing points



dimensions in mm

## markilux 3300/3300 pur

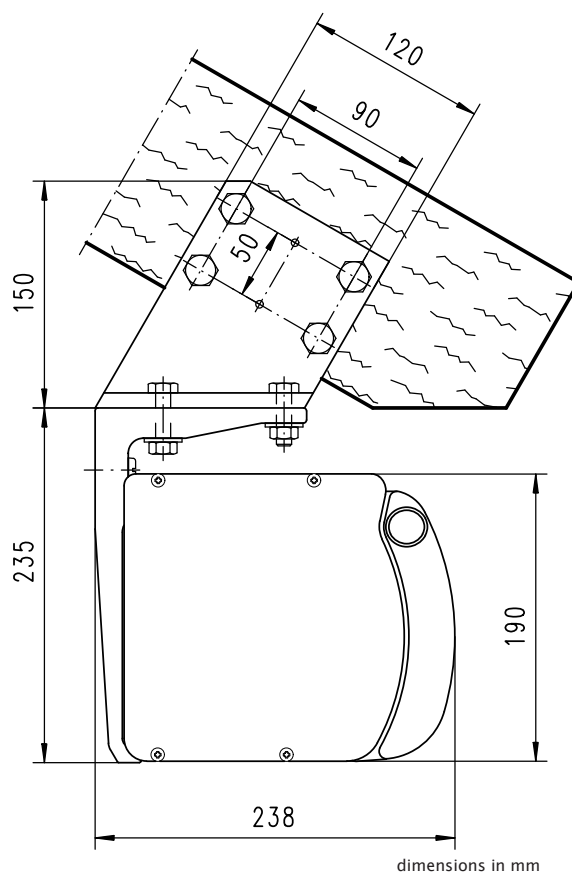
### Eaves/Roof timber fixture

Pull-out force [N=Newton] for the fixture bracket next to the arm according to EN 13561, wind resistance class 2

H [cm]	Torque										shear force													
	M [cm]										M [cm]													
	250	300	350	400	450	500	550	600	650	700	250	300	350	400	450	500	550	600	650	700				
	Md [Nm]										FS [N]													
150	124	143	163	182	201	221	240	259	279	196	1502	1742	1982	2222	2461	2701	2941	3181	3420	2526				
200	189	219	248	278	308	337	367	397	426	341	2226	2580	2935	3289	3644	3998	4353	4707	5062	4137				
250	---	318	360	402	444	486	528	570	681	588	---	3687	4178	4669	5159	5650	6141	6631	7892	6882				
300	---	---	480	536	592	648	788	852	916	817	---	---	5506	6154	6803	7451	9035	9770	10506	9428				
350	---	---	---	687	760	936	1019	1102	1020	1082	---	---	---	7838	8666	10647	11594	12541	11654	12374				
HT	2			4			5			6			2			4			5			6		
BM	8			16			20			24			8			16			20			24		
HT	2									4			2									4		
BM	8									16			8									16		

The shear force are calculated from 2 fixture points per bracket, because depending on the roof pitch it cannot be guaranteed that 4 fixture points per bracket can be used.

M = overall awning width  
 H = extension  
 Md = torque value for the bracket next to the arm  
 FS = shear force  
 HT = bracket  
 BM = no. of fixing points



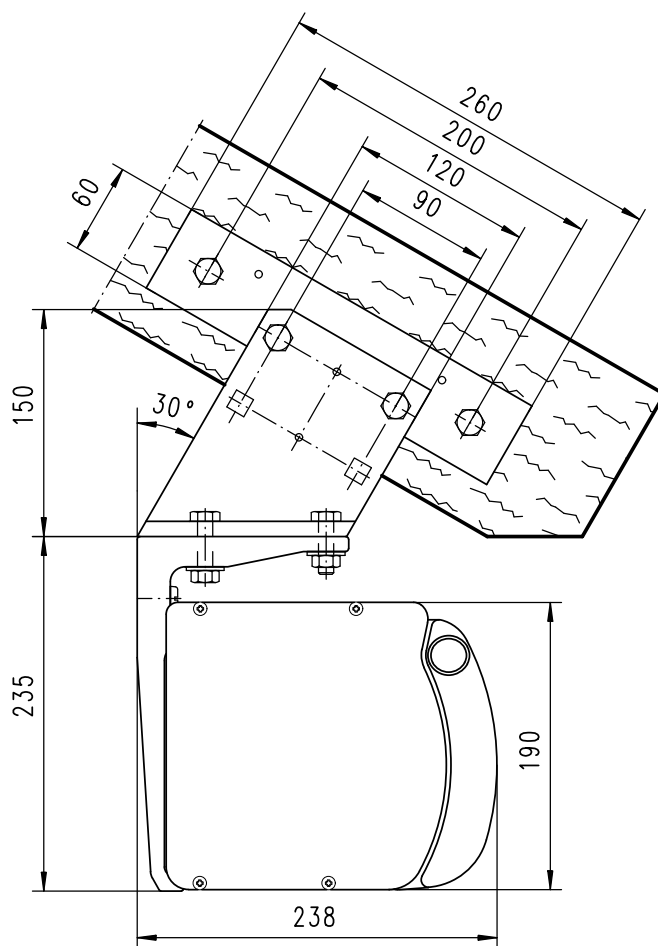
# Eaves fixture with additional plate

Pull-out force [N=Newton] for the fixture bracket next to the arm according to EN 13561, wind resistance class 2

H [cm]	Torque										shear force													
	M [cm]										M [cm]													
	250	300	350	400	450	500	550	600	650	700	250	300	350	400	450	500	550	600	650	700				
	Md [Nm]										FS [N]													
150	124	143	163	182	201	221	240	259	279	196	745	866	988	1110	1231	1353	1475	1596	1718	1329				
200	189	219	248	278	308	337	367	397	426	341	1070	1244	1417	1590	1763	1937	2110	2283	2456	2054				
250	---	318	360	402	444	486	528	570	681	588	---	1742	1976	2211	2445	2680	2915	3149	3730	3289				
300	---	---	480	536	592	648	788	852	916	817	---	---	2574	2879	3185	3490	4217	4562	4906	4435				
350	---	---	---	687	760	936	1019	1102	1020	1082	---	---	---	3637	4023	4929	5369	5808	5423	5761				
HT	2			4			5			6			2			4			5			6		
BM	8			8			10			24			8			8			10			24		
HT	2									4			2									4		
BM	4									8			4									8		

By using the additional flat plate, the shear force is reduced in comparison with conventional eaves fixture.

M = overall awning width  
 H = extension  
 Md = torque value for the bracket next to the arm  
 FS = shear force  
 HT = bracket  
 BM = no. of fixing points



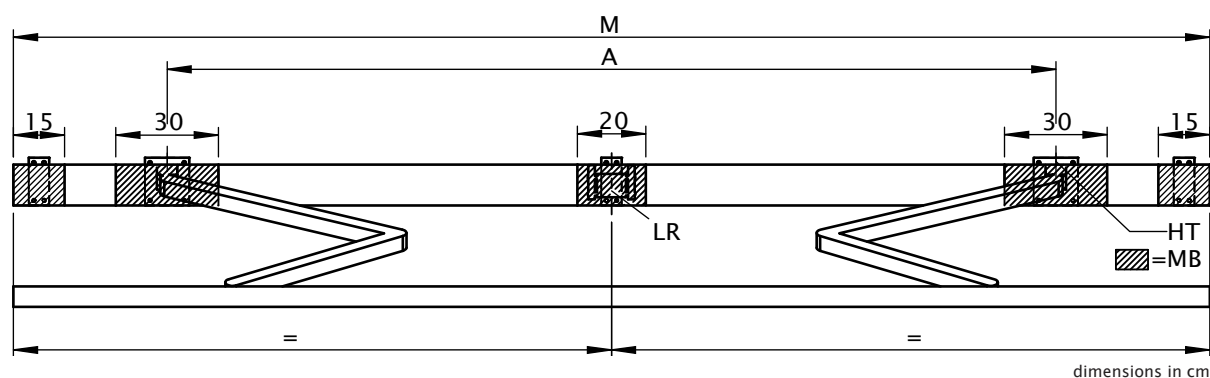
dimensions in mm





## markilux 3300/3300 pur

## Bracket range for awnings with 2 folding arms



M [cm]	SB ZB	250 190-250	300 251-300	350 301-350	400 351-400	450 401-450	500 451-500	550 501-550	600 551-600	650 601-650
		A [cm]								
H [cm]	150	173 ■	230	260	300	340	380	410	450	490
	200	223 ▲	230 ■	260	300	340	380	410	450	490
	250	---	273 ▲	275 ■	300	340	380	410	450	490
	300	---	---	323 ▲	325 ■	340	380	425	450	490
	350	---	---	---	373 ▲	375 ■	380	440	450	---
W	HT   BHT	60 mm	---	---	---	2	---	3	---	---
	100 mm	---	2	---	---	2	---	2	---	---
	200 mm	---	---	---	2	---	---	---	---	---
W A/B	HT   BHT	60 mm	---	---	---	2	---	3	---	---
	100 mm	---	2	---	---	2	---	2	---	---
DE/DA	HT   BHT	90 mm	---	---	---	4	---	5	---	---
	200 mm	---	---	---	2	---	---	---	---	---

dimensions in cm

▲ = Please note the minimum widths, dimension A is only valid for standard arms! (dimension A is 13 cm smaller in the case of bespoke arms.) In the case of narrow awning widths the brackets can only be fitted inside the arms, i.e. within dimension A. A junction roller cannot be fitted to a Coupled unit.

■ = coupled units are only available with junction roller in the standard widths, in other widths on request

M = overall awning width

A = arm position

HT = bracket

MB = range for bracket fixture

LR = Rolltex bearing with bracket is always situated under the central seam (depends on the width)

SB = standard width

ZB = intermediate width

H = extension

W = face fixture

W A/B = face fixture with spreader plate A or B

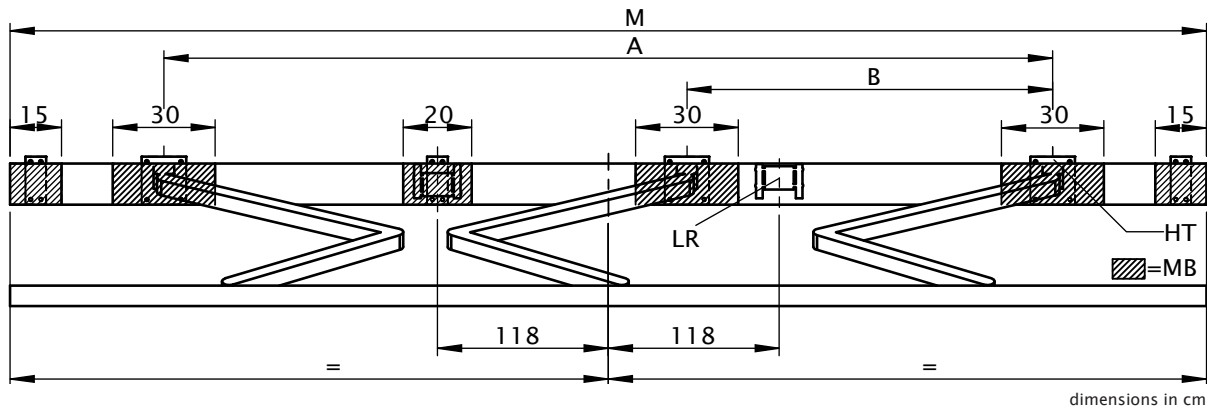
DE/DA = top fixture and eaves fixture

HT | BHT = bracket quantity | width

If the brackets cannot be positioned in accordance with this table, make sure the actual measurements are noted on the order form!

## markilux 3300/3300 pur

## Bracket range for awnings with 3 folding arms



M [cm]	SB ZB	650		651-700		700 651-694		695-700		KM [cm]
		A [cm]	B [cm]	A [cm]	B [cm]	A [cm]	B [cm]	A [cm]	B [cm]	
H [cm]	150	---	---	540	250	---	---	---	---	450
	200	---	---	540	250	---	---	---	---	500
	250	---	---	550	235	---	---	---	---	550
	300	---	---	580	235	---	---	---	---	600
	350	620 ▲	230 ▲	---	---	621 ▲	230 ▲	625	230	650
W	HT   BHT	60 mm	1			3				
		100 mm	---			3				
		200 mm	3			---				
W A/B	HT   BHT	60 mm	1			3				
		100 mm	3			3				
DE/DA	HT   BHT	90 mm	1			6				
		200 mm	3			---				

dimensions in cm

▲ = coupled units not available with junction roller

M = overall awning width  
A = arm position  
A = arm position  
HT = bracket  
MB = range for bracket fixture  
LR = Rolltex bearing with bracket is always situated under the central seam (depends on the width)  
SB = standard width  
ZB = intermediate width  
H = extension  
W = face fixture  
W A/B = face fixture with spreader plate A or B  
DE/DA = top fixture and eaves fixture  
HT | BHT = bracket quantity | width  
KM = minimum awning width

If the brackets cannot be positioned in accordance with this table, make sure the actual measurements are noted on the order form!